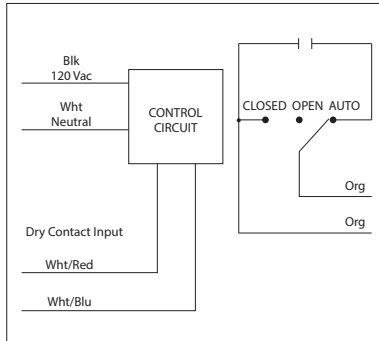


DRY CONTACT INPUT RELAYS

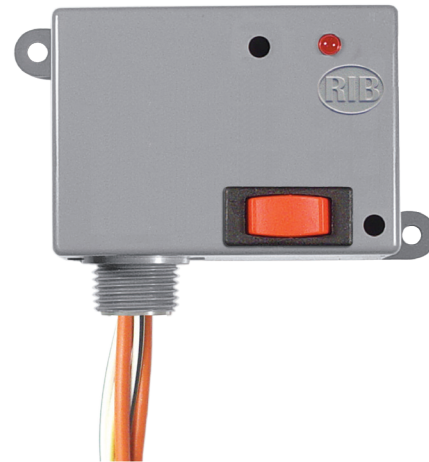
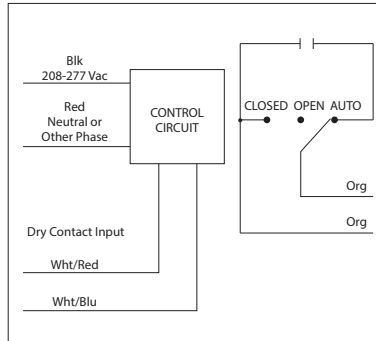
RIB01SBDC

Enclosed Relay 20 Amp SPST-N/O +
Override, Class 2 Dry Contact Input,
120 Vac Power Input



RIB02SBDC

Enclosed Relay 20 Amp SPST-N/O +
Override, Class 2 Dry Contact Input,
208-277 Vac Power Input



Made in USA
Meets
"Buy American"
of ABRA 2009

RELAYS

SPECIFICATIONS

Relays & Contact Type: One (1) SPST Continuous Duty Coil
Expected Relay Life: 10 million cycles minimum mechanical
Operating Temperature: -30 to 140° F
Humidity Range: 5 to 95% (noncondensing)
Operate Time: 1.8 Seconds
Relay Status: LED On = Activated
Dimensions: 2.30" x 3.20" x 1.80" with .50" NPT Nipple
Wires: 16", 600V Rated
Approvals: UL Listed, UL916, C-UL
Housing Rating: UL Accepted for Use in Plenum, NEMA 1
Gold Flash: No
Override Switch: Yes

Contact Ratings:
 20 Amp Resistive @ 277 Vac
 1110 VA Pilot Duty @ 277 Vac
 770 VA Pilot Duty @ 120 Vac
 20 Amp Ballast @ 277 Vac (N/O)
 10 Amp Ballast @ 277 Vac (N/C)
Not rated for Electronic Ballast
 10 Amp Tungsten @ 120 Vac (N/O)
 240 Watt Tungsten @ 120 Vac (N/C)
 2 HP @ 277 Vac
 1 HP @ 120 Vac

Power Input:
 42 mA @ 120 Vac (RIB01SBDC)
 62 mA @ 208-277 Vac (RIB02SBDC)

Notes:

- Dry Contact Input Operation:** Close White/Red wire to White/Blue wire to activate relay. If more than one dry contact RIB® shares a single dry contact input, White/Blue must be common.
- Order Normally Closed by adding "-NC" to end of model number